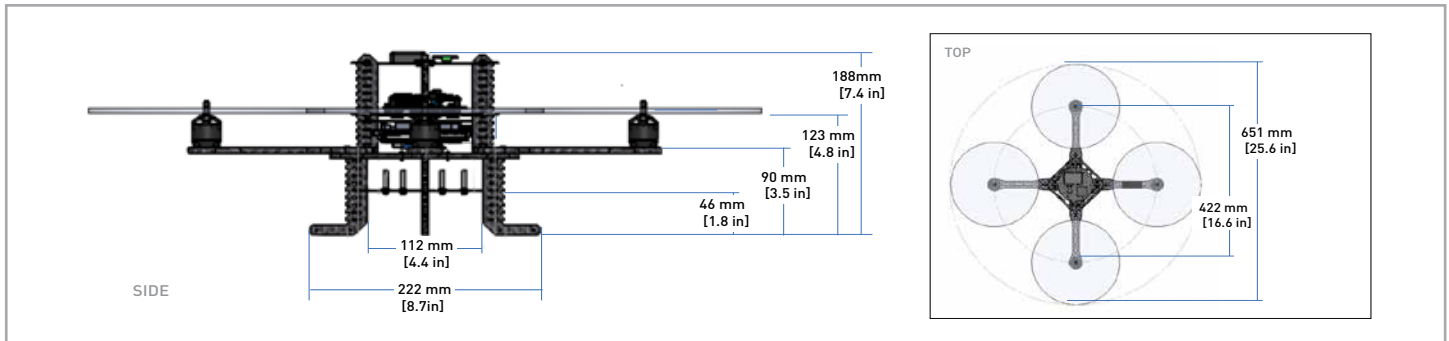


# PELICAN™

## UNMANNED AERIAL VEHICLE



## TECHNICAL SPECIFICATIONS

SIZE AND WEIGHT	
ENVELOP DIMENSIONS (L x W x H)	500 x 500 x 200 mm (20 x 20 x 8in)
WEIGHT	750 g (1.65 lb)
NUMBER OF PROPELLERS	4
PROPELLER SIZE	254 mm (10 in)
FLIGHT PERFORMANCE	
CRUISE SPEED	36 km/h
MAX. SPEED	50 km/h
MAX. PAYLOAD	500 g (1.1 lb)
MAX. FLIGHT TIME / WITH MAX. PAYLOAD	20 min / 12-15 min
BATTERY AND POWER SYSTEM	
BATTERY / CAPACITY	LiPo 11.1V / 6000 mAh
COMMUNICATION OPTIONS	
METHOD 1	User sends direct motor commands via onboard communication system; access is provided to IMU data (raw and calculated) for users' flight control software.
METHOD 2	User issues angle and position commands via external computer. Communication is via serial interface. Access is provided to IMU data (raw and calculated).
METHOD 3	User issues waypoint commands via external computer. Flight stabilization is performed using provided flight control software using off-board computer. Communication is via serial interface.
FLIGHT DATA	
RAW DATA	Pressure sensor value; Gyro readings; Magnetic field; Accelerometer; Temperature.
CALCULATED DATA	Angles (integration of gyro outputs); Reference angles; Drift (compensated); Angular velocities; Horizontal/vertical accelerations; Total acceleration; Magnetic field sensor output (calibrated); Compass reading (reference for yaw angle); Speed (integrated accelerations); Height (state estimate or from pressure sensor); Difference of height (after data fusion or by pressure sensor).
GPS	Latitude/longitude; GPS height; Speed in x and y; GPS heading; Accuracy estimates in mm and mm/s; Number of satellites; GPS status information.
WAYPOINT	Absolute coordinates; Maximum speed to travel to waypoint in %; Time to stay at a waypoint; Position accuracy; Checksum; Yaw; Height over origin.
KEY FEATURES	
AVAILABLE ACCESSORIES	Compass Module, Remote Control Unit, Xbee Datalink Module, JTAG Programming/Debugging Module, Propeller Protection Packages, LiPO Battery Packs, Carrying Cases, etc.

Contact us today for pricing and a free 30 minute technical assessment: **1-800-301-3863**